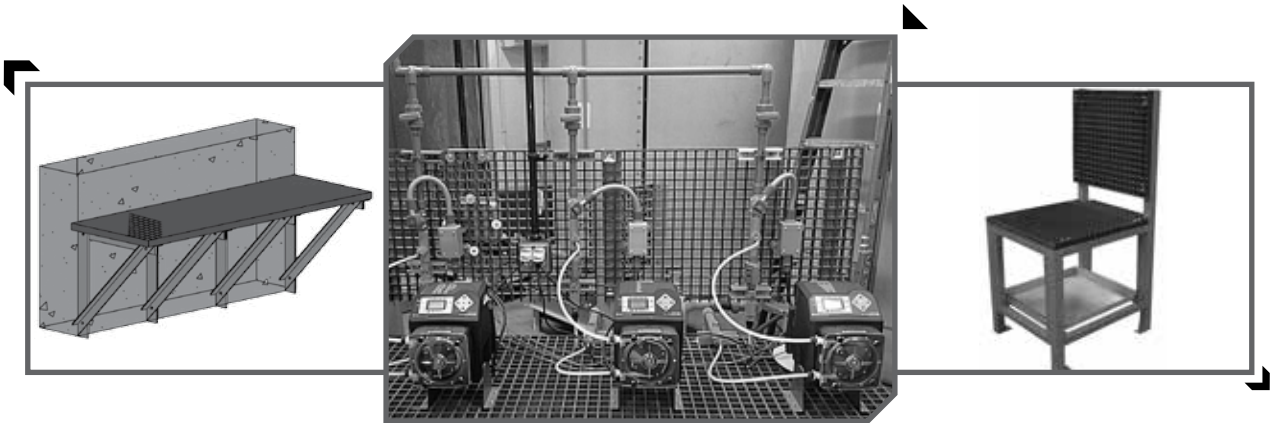


Assembly Instructions

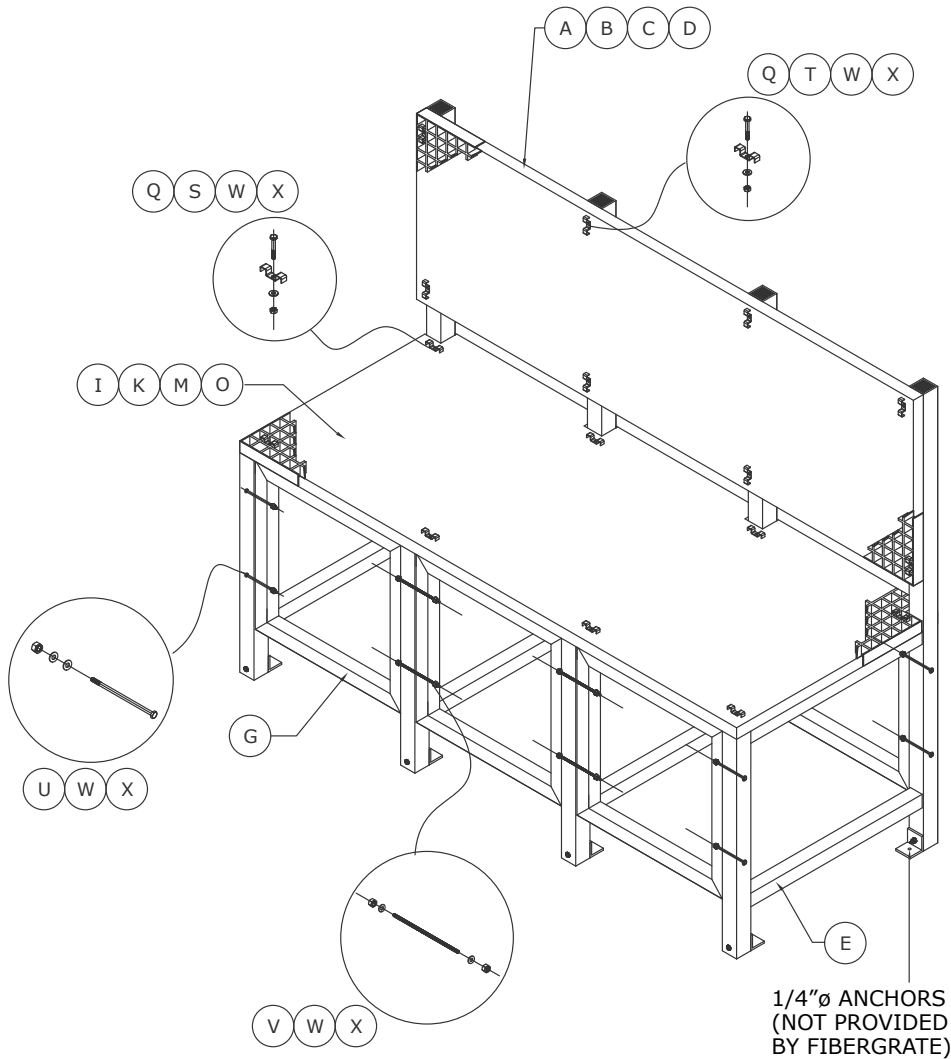
Metering Pump Stand Kits



HIGH PERFORMANCE COMPOSITE SOLUTIONS



Metering Pump Stand Kit Assembly Instructions

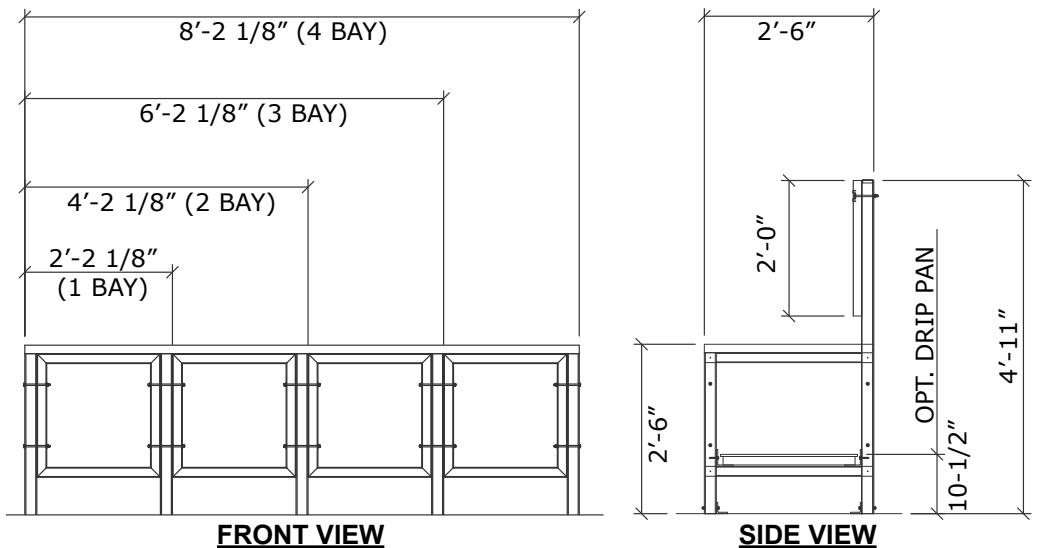


| FLOOR MOUNT - ONE BAY - WITH BACK ITEM #86500035 | | | |
|---|-----------------------------------|-----|----------|
| PART | DESCRIPTION | QTY | ITEM # |
| A | One Bay Vert. Grating | 1 | 86500011 |
| E | Leg Assy. With Back | 2 | 86500015 |
| G | Leg Brace | 2 | 86500017 |
| I | One Bay Horiz. Grating With Back | 1 | 86500019 |
| Q | M-2 Hold Down Clip | 8 | 734250 |
| S | 1/4"ø x 3-1/2" Lg. Hex Head Bolt | 4 | 754320 |
| T | 1/4"ø x 4" Lg. Hex Head Bolt | 4 | 754340 |
| U | 1/4"ø x 4-1/2" Lg. Hex Head Bolt | 8 | 754350 |
| V | 1/4"ø x 6-1/2" Lg. All Thread Rod | 0 | 577310 |
| W | 1/4"ø Lock Nut | 16 | 784550 |
| X | 1/4"ø Flat Washer | 24 | 785150 |

| FLOOR MOUNT - TWO BAY - WITH BACK ITEM #86500036 | | | |
|---|-----------------------------------|-----|----------|
| PART | DESCRIPTION | QTY | ITEM # |
| B | Two Bay Vert. Grating | 1 | 86500012 |
| E | Leg Assy. With Back | 3 | 86500015 |
| G | Leg Brace | 4 | 86500017 |
| K | Two Bay Horiz. Grating With Back | 1 | 86500021 |
| Q | M-2 Hold Down Clip | 12 | 734250 |
| S | 1/4"ø x 3-1/2" Lg. Hex Head Bolt | 6 | 754320 |
| T | 1/4"ø x 4" Lg. Hex Head Bolt | 6 | 754340 |
| U | 1/4"ø x 4-1/2" Lg. Hex Head Bolt | 8 | 754350 |
| V | 1/4"ø x 6-1/2" Lg. All Thread Rod | 4 | 577310 |
| W | 1/4"ø Lock Nut | 28 | 784550 |
| X | 1/4"ø Flat Washer | 36 | 785150 |

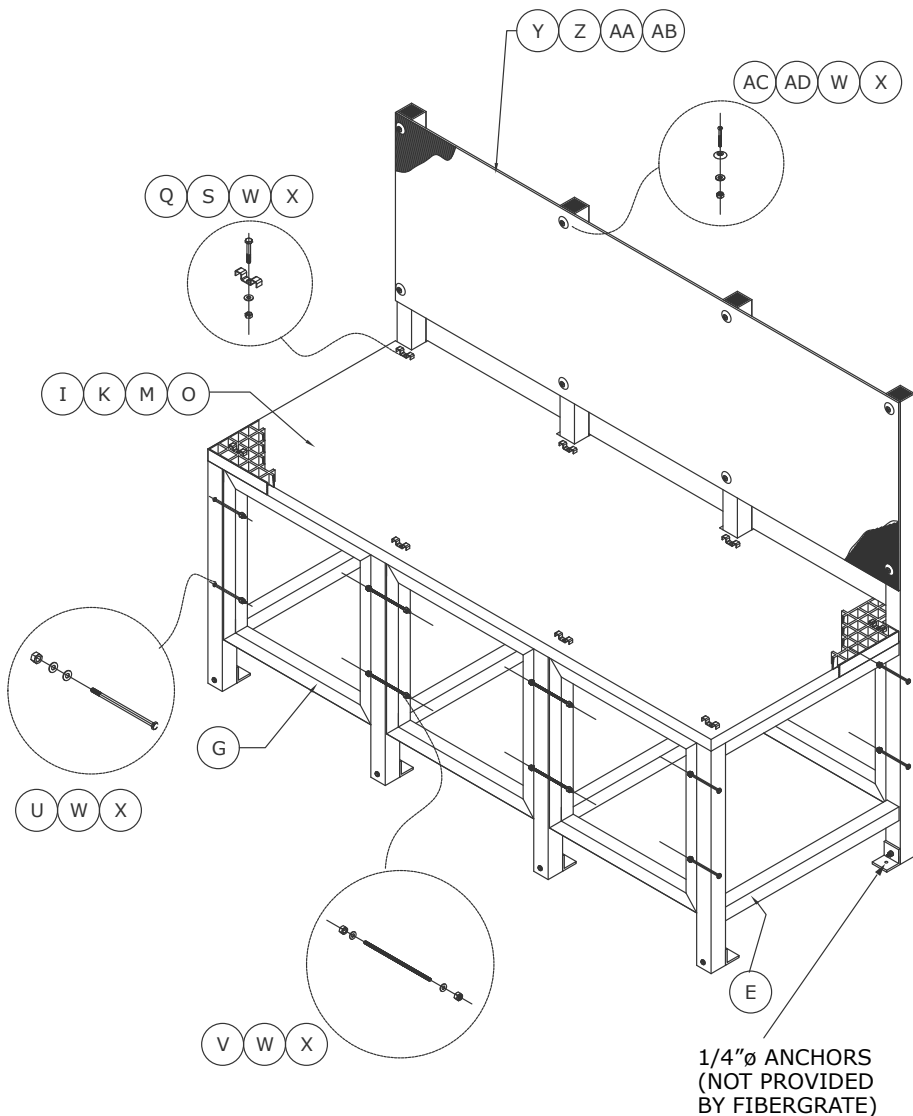
| FLOOR MOUNT - THREE BAY - WITH BACK ITEM #86500037 | | | |
|---|------------------------------------|-----|----------|
| PART | DESCRIPTION | QTY | ITEM # |
| C | Three Bay Vert. Grating | 1 | 86500013 |
| E | Leg Assy. With Back | 4 | 86500015 |
| G | Leg Brace | 6 | 86500017 |
| M | Three Bay Horiz. Grating With Back | 1 | 86500023 |
| Q | M-2 Hold Down Clip | 16 | 734250 |
| S | 1/4"ø x 3-1/2" Lg. Hex Head Bolt | 8 | 754320 |
| T | 1/4"ø x 4" Lg. Hex Head Bolt | 8 | 754340 |
| U | 1/4"ø x 4-1/2" Lg. Hex Head Bolt | 8 | 754350 |
| V | 1/4"ø x 6-1/2" Lg. All Thread Rod | 8 | 577310 |
| W | 1/4"ø Lock Nut | 40 | 784550 |
| X | 1/4"ø Flat Washer | 48 | 785150 |

| FLOOR MOUNT - FOUR BAY - WITH BACK ITEM #86500038 | | | |
|--|-----------------------------------|-----|----------|
| PART | DESCRIPTION | QTY | ITEM # |
| D | Four Bay Vert. Grating | 1 | 86500012 |
| E | Leg Assy. With Back | 5 | 86500015 |
| G | Leg Brace | 8 | 86500017 |
| O | Four Bay Horiz. Grating With Back | 1 | 86500024 |
| Q | M-2 Hold Down Clip | 20 | 734250 |
| S | 1/4"ø x 3-1/2" Lg. Hex Head Bolt | 10 | 754320 |
| T | 1/4"ø x 4" Lg. Hex Head Bolt | 10 | 754340 |
| U | 1/4"ø x 4-1/2" Lg. Hex Head Bolt | 8 | 754350 |
| V | 1/4"ø x 6-1/2" Lg. All Thread Rod | 12 | 577310 |
| W | 1/4"ø Lock Nut | 52 | 784550 |
| X | 1/4"ø Flat Washer | 60 | 785150 |



NOTE:
FLOOR MOUNT - THREE BAY - WITH BACK
SHOWN FOR REFERENCE

Metering Pump Stand Kit Assembly Instructions

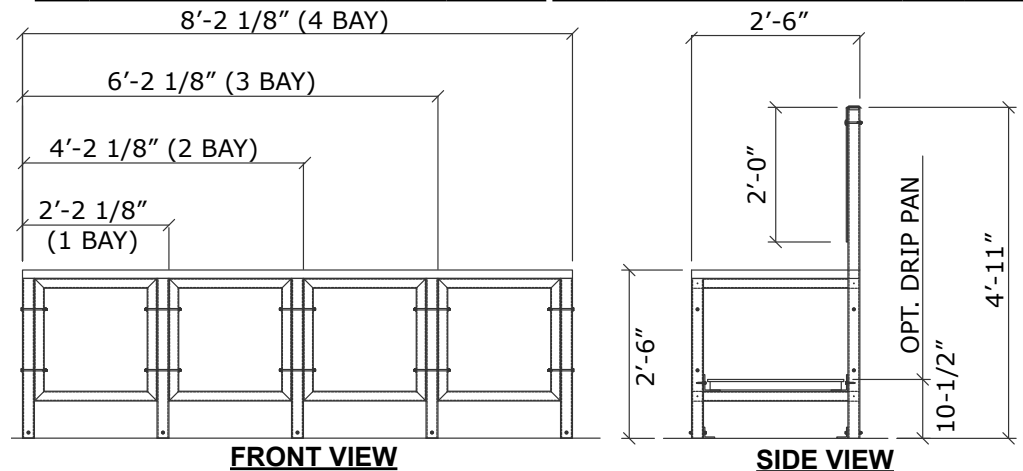


| FLOOR MOUNT - ONE BAY - WITH PLATE BACK ITEM #86500090 | | | |
|---|-----------------------------------|-----|----------|
| PART | DESCRIPTION | QTY | ITEM # |
| E | Leg Assy. With Back | 2 | 86500015 |
| G | Leg Brace | 2 | 86500017 |
| I | One Bay Horiz. Grating With Back | 1 | 86500019 |
| Q | M-2 Hold Down Clip | 4 | 734250 |
| S | 1/4"ø x 3-1/2" Lg. Hex Head Bolt | 4 | 754320 |
| U | 1/4"ø x 4-1/2" Lg. Hex Head Bolt | 8 | 754350 |
| V | 1/4"ø x 6-1/2" Lg. All Thread Rod | 0 | 577310 |
| W | 1/4"ø Lock Nut | 16 | 784550 |
| X | 1/4"ø Flat Washer | 24 | 785150 |
| Y | One Bay Vert. Plate | 1 | 86500095 |
| AC | WLP Hold Down Clip | 4 | 734300 |
| AD | 1/4"ø x 3" Lg. Oval Head MS | 4 | 754430 |

| FLOOR MOUNT - ONE BAY - WITH PLATE BACK ITEM #86500090 | | | |
|---|-----------------------------------|-----|----------|
| PART | DESCRIPTION | QTY | ITEM # |
| E | Leg Assy. With Back | 3 | 86500015 |
| G | Leg Brace | 4 | 86500017 |
| K | Two Bay Horiz. Grating With Back | 1 | 86500021 |
| Q | M-2 Hold Down Clip | 6 | 734250 |
| S | 1/4"ø x 3-1/2" Lg. Hex Head Bolt | 6 | 754320 |
| U | 1/4"ø x 4-1/2" Lg. Hex Head Bolt | 8 | 754350 |
| V | 1/4"ø x 6-1/2" Lg. All Thread Rod | 4 | 577310 |
| W | 1/4"ø Lock Nut | 16 | 784550 |
| X | 1/4"ø Flat Washer | 36 | 785150 |
| Z | Two Bay Vert. Plate | 1 | 86500096 |
| AC | WLP Hold Down Clip | 6 | 734300 |
| AD | 1/4"ø x 3" Lg. Oval Head MS | 6 | 754430 |

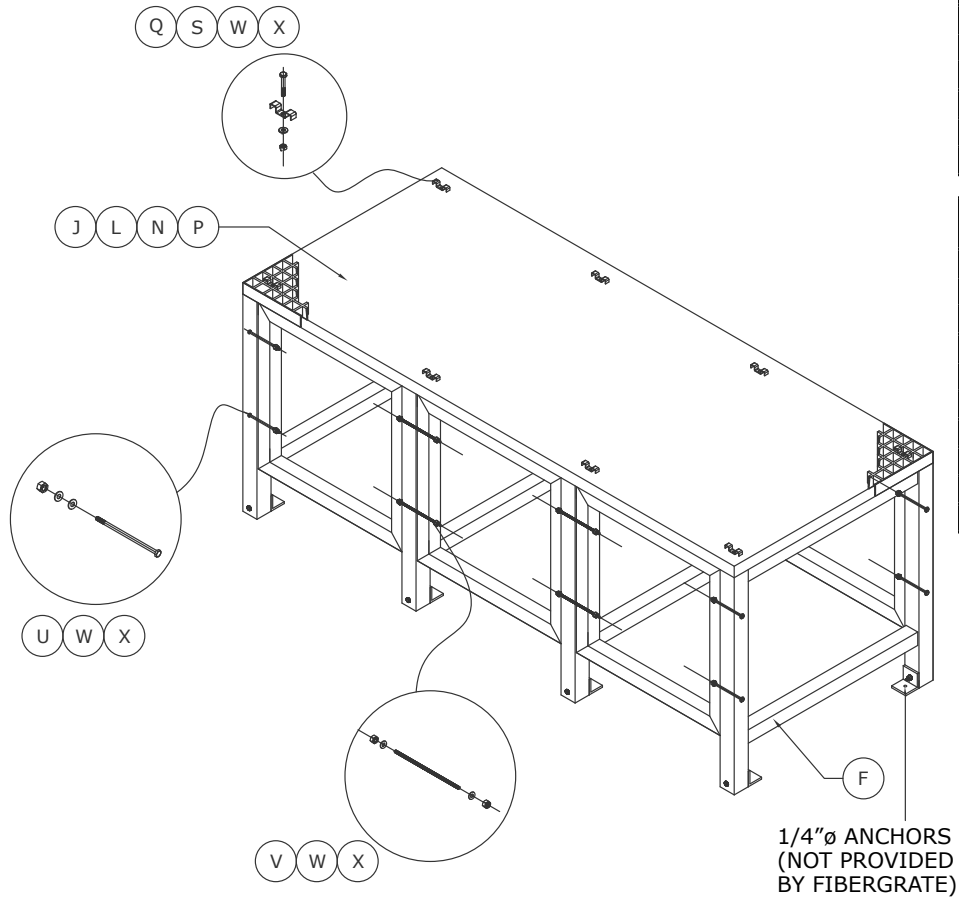
| FLOOR MOUNT - THREE BAY - WITH PLATE BACK ITEM #86500092 | | | |
|---|------------------------------------|-----|----------|
| PART | DESCRIPTION | QTY | ITEM # |
| E | Leg Assy. With Back | 4 | 86500015 |
| G | Leg Brace | 6 | 86500017 |
| M | Three Bay Horiz. Grating With Back | 1 | 86500023 |
| Q | M-2 Hold Down Clip | 8 | 734250 |
| S | 1/4"ø x 3-1/2" Lg. Hex Head Bolt | 8 | 754320 |
| U | 1/4"ø x 4-1/2" Lg. Hex Head Bolt | 8 | 754350 |
| V | 1/4"ø x 6-1/2" Lg. All Thread Rod | 8 | 577310 |
| W | 1/4"ø Lock Nut | 40 | 784550 |
| X | 1/4"ø Flat Washer | 48 | 785150 |
| AA | Three Bay Vert. Plate | 1 | 86500097 |
| AC | WLP Hold Down Clip | 8 | 734300 |
| AD | 1/4"ø x 3" Lg. Oval Head MS | 8 | 754430 |

| FLOOR MOUNT - FOUR BAY - WITH PLATE BACK ITEM #86500093 | | | |
|--|-----------------------------------|-----|----------|
| PART | DESCRIPTION | QTY | ITEM # |
| E | Leg Assy. With Back | 4 | 86500015 |
| G | Leg Brace | 6 | 86500017 |
| O | Four Bay Horiz. Grating With Back | 1 | 86500025 |
| Q | M-2 Hold Down Clip | 10 | 734250 |
| S | 1/4"ø x 3-1/2" Lg. Hex Head Bolt | 10 | 754320 |
| U | 1/4"ø x 4-1/2" Lg. Hex Head Bolt | 8 | 754350 |
| V | 1/4"ø x 6-1/2" Lg. All Thread Rod | 12 | 577310 |
| W | 1/4"ø Lock Nut | 52 | 784550 |
| X | 1/4"ø Flat Washer | 60 | 785150 |
| AB | Four Bay Vert. Plate | 1 | 86500098 |
| AC | WLP Hold Down Clip | 8 | 734300 |
| AD | 1/4"ø x 3" Lg. Oval Head MS | 8 | 754430 |



NOTE:
FLOOR MOUNT - THREE BAY - WITH PLATE BACK
SHOWN FOR REFERENCE

Metering Pump Stand Kit Assembly Instructions

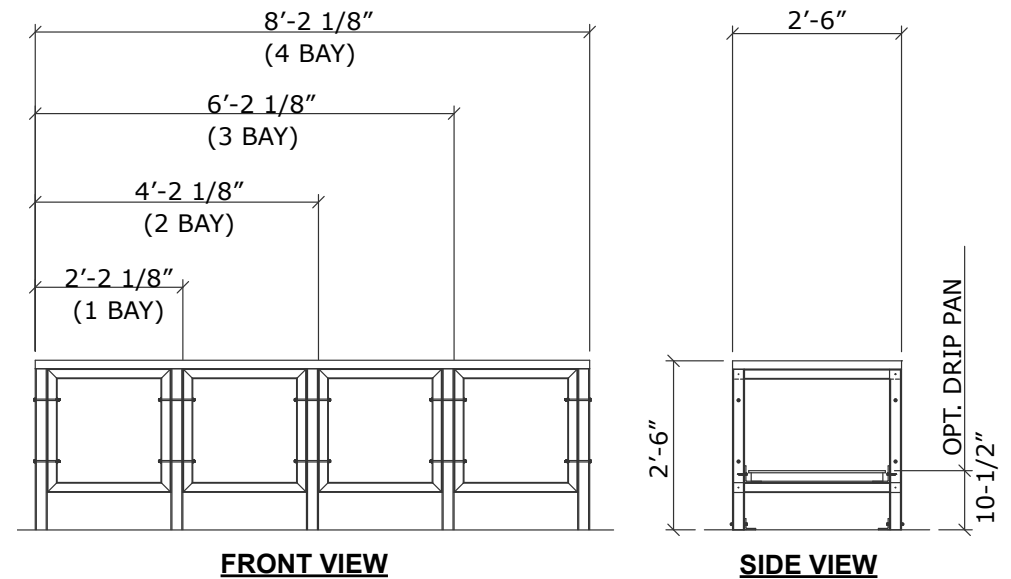


| FLOOR MOUNT - ONE BAY - WITHOUT BACK ITEM #86500039 | | | |
|--|-------------------------------------|-----|----------|
| PART | DESCRIPTION | QTY | ITEM # |
| F | Leg Assy. Without Back | 2 | 86500016 |
| G | Leg Brace | 2 | 86500017 |
| J | One Bay Horiz. Grating Without Back | 1 | 86500020 |
| Q | M-2 Hold Down Clip | 4 | 734250 |
| S | 1/4" x 3-1/2" Lg. Hex Head Bolt | 4 | 754320 |
| U | 1/4" x 4-1/2" Lg. Hex Head Bolt | 8 | 754350 |
| V | 1/4" x 6-1/2" Lg. All Thread Rod | 0 | 577310 |
| W | 1/4" Lock Nut | 12 | 784550 |
| X | 1/4" Flat Washer | 20 | 785150 |

| FLOOR MOUNT - TWO BAY - WITHOUT BACK ITEM #86500040 | | | |
|--|-------------------------------------|-----|----------|
| PART | DESCRIPTION | QTY | ITEM # |
| F | Leg Assy. Without Back | 3 | 86500016 |
| G | Leg Brace | 4 | 86500017 |
| L | Two Bay Horiz. Grating Without Back | 1 | 86500022 |
| Q | M-2 Hold Down Clip | 6 | 734250 |
| S | 1/4" x 3-1/2" Lg. Hex Head Bolt | 6 | 754320 |
| U | 1/4" x 4-1/2" Lg. Hex Head Bolt | 8 | 754350 |
| V | 1/4" x 6-1/2" Lg. All Thread Rod | 4 | 577310 |
| W | 1/4" Lock Nut | 22 | 784550 |
| X | 1/4" Flat Washer | 30 | 785150 |

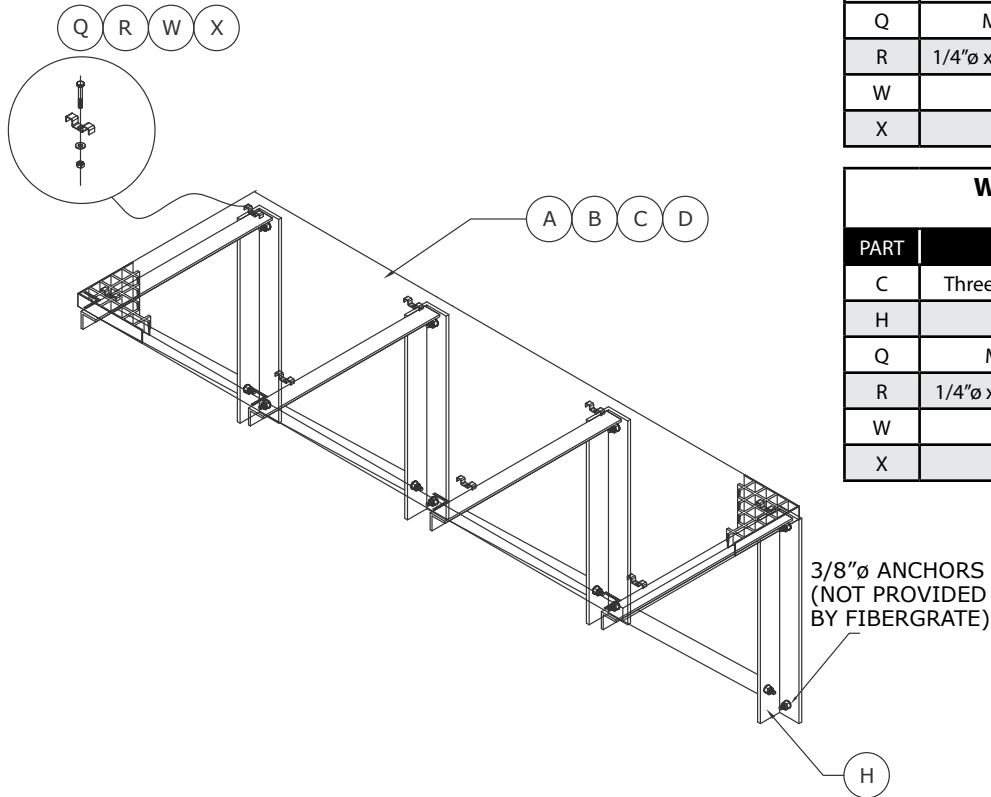
| FLOOR MOUNT - THREE BAY - WITHOUT BACK ITEM #86500041 | | | |
|--|---------------------------------------|-----|----------|
| PART | DESCRIPTION | QTY | ITEM # |
| F | Leg Assy. Without Back | 4 | 86500016 |
| G | Leg Brace | 6 | 86500017 |
| N | Three Bay Horiz. Grating Without Back | 1 | 86500024 |
| Q | M-2 Hold Down Clip | 8 | 734250 |
| S | 1/4" x 3-1/2" Lg. Hex Head Bolt | 8 | 754320 |
| U | 1/4" x 4-1/2" Lg. Hex Head Bolt | 8 | 754350 |
| V | 1/4" x 6-1/2" Lg. All Thread Rod | 8 | 577310 |
| W | 1/4" Lock Nut | 32 | 784550 |
| X | 1/4" Flat Washer | 40 | 785150 |

| FLOOR MOUNT - FOUR BAY - WITHOUT BACK ITEM #86500042 | | | |
|---|--------------------------------------|-----|----------|
| PART | DESCRIPTION | QTY | ITEM # |
| F | Leg Assy. Without Back | 5 | 86500016 |
| G | Leg Brace | 8 | 86500017 |
| P | Four Bay Horiz. Grating Without Back | 1 | 86500026 |
| Q | M-2 Hold Down Clip | 10 | 734250 |
| S | 1/4" x 3-1/2" Lg. Hex Head Bolt | 10 | 754320 |
| U | 1/4" x 4-1/2" Lg. Hex Head Bolt | 8 | 754350 |
| V | 1/4" x 6-1/2" Lg. All Thread Rod | 12 | 577310 |
| W | 1/4" Lock Nut | 42 | 784550 |
| X | 1/4" Flat Washer | 50 | 785150 |



NOTE:
FLOOR MOUNT - THREE BAY - WITHOUT BACK
SHOWN FOR REFERENCE

Metering Pump Stand Kit Assembly Instructions



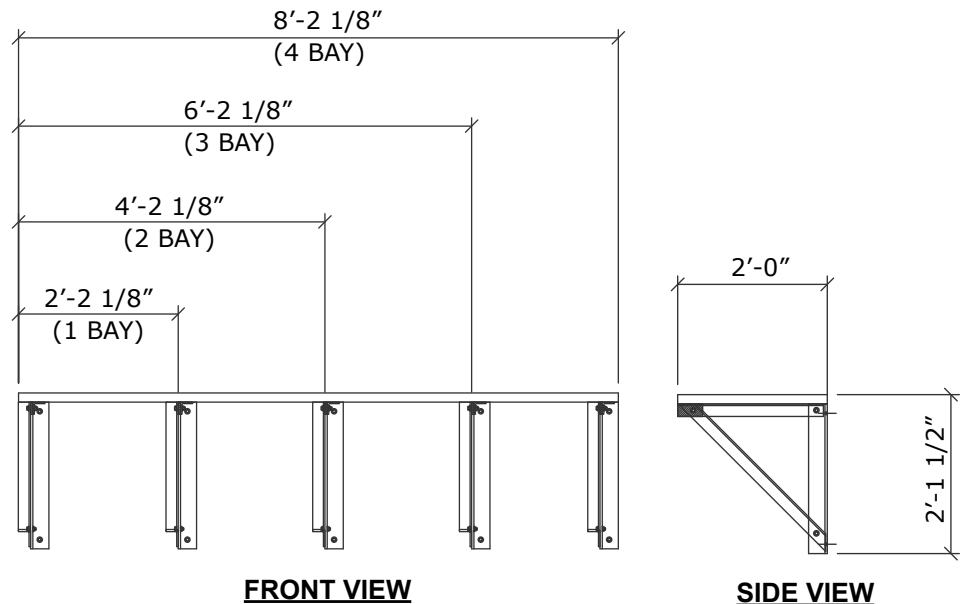
| WALL MOUNT - ONE BAY ITEM #86500043 | | | |
|--|----------------------------------|-----|----------|
| PART | DESCRIPTION | QTY | ITEM # |
| A | One Bay Knee Brace Grating | 1 | 86500011 |
| H | Knee Brace | 2 | 86500018 |
| Q | M-2 Hold Down Clip | 4 | 734250 |
| R | 1/4"Ø x 2-1/4" Lg. Hex Head Bolt | 4 | 754270 |
| W | 1/4"Ø Lock Nut | 4 | 784550 |
| X | 1/4"Ø Flat Washer | 4 | 785150 |

| WALL MOUNT - TWO BAY ITEM #86500044 | | | |
|--|----------------------------------|-----|----------|
| PART | DESCRIPTION | QTY | ITEM # |
| B | Two Bay Knee Brace Grating | 1 | 86500012 |
| H | Knee Brace | 3 | 86500018 |
| Q | M-2 Hold Down Clip | 6 | 734250 |
| R | 1/4"Ø x 2-1/4" Lg. Hex Head Bolt | 6 | 754270 |
| W | 1/4"Ø Lock Nut | 6 | 784550 |
| X | 1/4"Ø Flat Washer | 6 | 785150 |

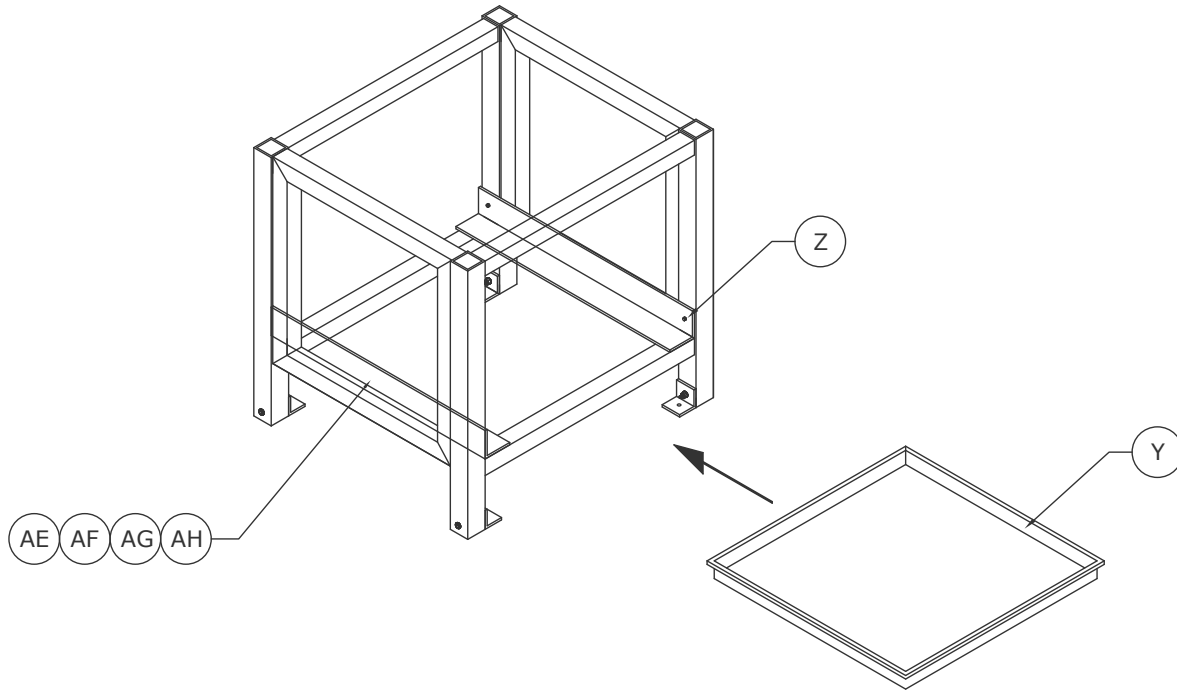
| WALL MOUNT - THREE BAY ITEM #86500045 | | | |
|--|----------------------------------|-----|----------|
| PART | DESCRIPTION | QTY | ITEM # |
| C | Three Bay Knee Brace Grating | 1 | 86500013 |
| H | Knee Brace | 4 | 86500018 |
| Q | M-2 Hold Down Clip | 8 | 734250 |
| R | 1/4"Ø x 2-1/4" Lg. Hex Head Bolt | 8 | 754270 |
| W | 1/4"Ø Lock Nut | 8 | 784550 |
| X | 1/4"Ø Flat Washer | 8 | 785150 |

| WALL MOUNT - FOUR BAY ITEM #86500046 | | | |
|---|----------------------------------|-----|----------|
| PART | DESCRIPTION | QTY | ITEM # |
| D | Four Bay Knee Brace Grating | 1 | 86500014 |
| H | Knee Brace | 5 | 86500018 |
| Q | M-2 Hold Down Clip | 10 | 734250 |
| R | 1/4"Ø x 2-1/4" Lg. Hex Head Bolt | 10 | 754270 |
| W | 1/4"Ø Lock Nut | 10 | 784550 |
| X | 1/4"Ø Flat Washer | 10 | 785150 |

NOTE:
WALL MOUNT - THREE BAY
SHOWN FOR REFERENCE



Drip Pans - Assembly Instructions



NOTE:
FLOOR MOUNT - ONE BAY - WITHOUT BACK
SHOWN FOR REFERENCE

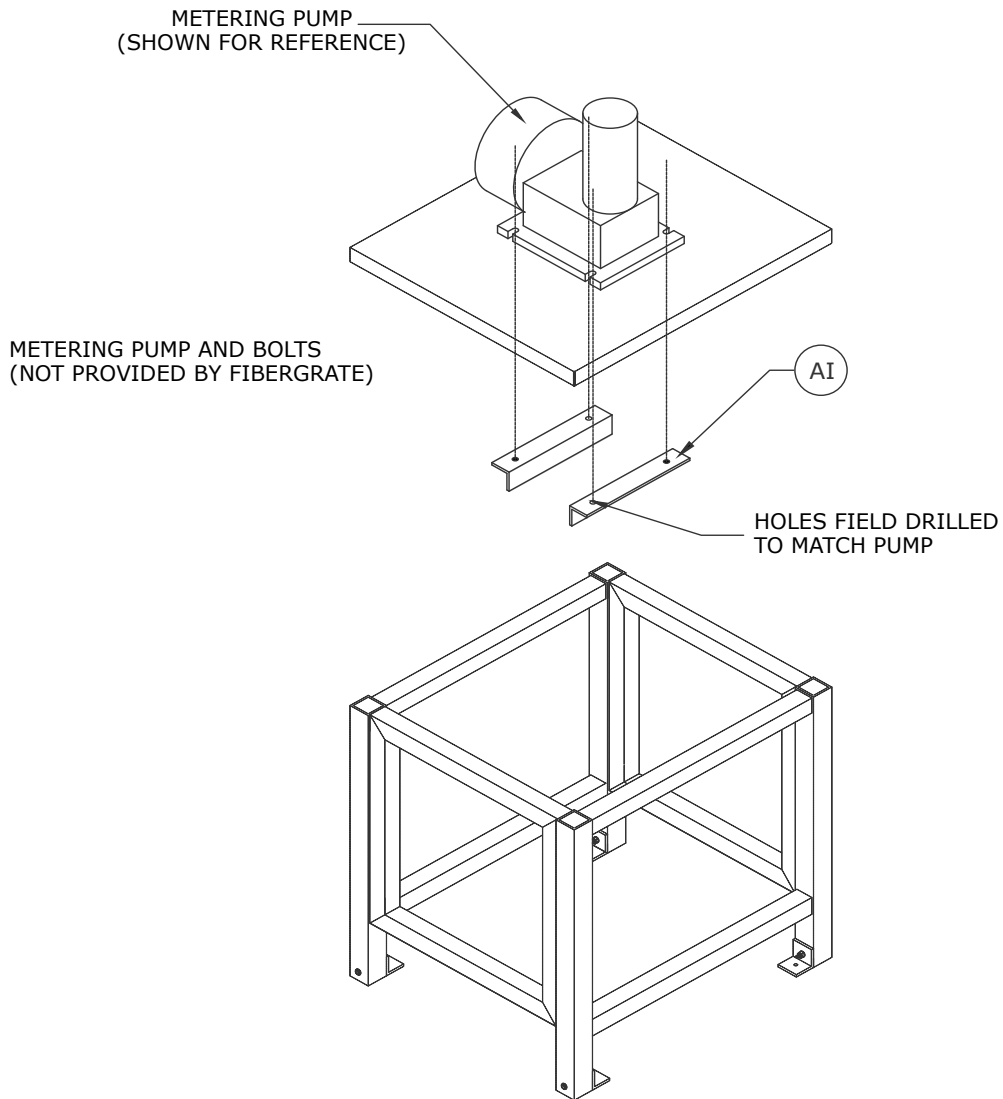
| DRIP PAN - ONE BAY ITEM #86500027 | | | |
|--------------------------------------|--------------------------------------|-----|--------|
| PART | DESCRIPTION | QTY | ITEM # |
| Y | 24" x 24" Drip Pan | 1 | 794720 |
| Z | #10 x 1" Lg. Self Tapping Screw | 4 | 756670 |
| AE | 3" x 3" x 1/4" FRP Angle 26-1/8" Lg. | 2 | N/A |

| DRIP PAN - TWO BAY ITEM #86500028 | | | |
|--------------------------------------|--------------------------------------|-----|--------|
| PART | DESCRIPTION | QTY | ITEM # |
| Y | 24" x 24" Drip Pan | 2 | 794720 |
| Z | #10 x 1" Lg. Self Tapping Screw | 6 | 756670 |
| AF | 3" x 3" x 1/4" FRP Angle 50-1/8" Lg. | 2 | N/A |

| DRIP PAN - THREE BAY ITEM #86500029 | | | |
|--|--------------------------------------|-----|--------|
| PART | DESCRIPTION | QTY | ITEM # |
| Y | 24" x 24" Drip Pan | 3 | 794720 |
| Z | #10 x 1" Lg. Self Tapping Screw | 8 | 756670 |
| AG | 3" x 3" x 1/4" FRP Angle 74-1/8" Lg. | 2 | N/A |

| DRIP PAN - FOUR BAY ITEM #86500030 | | | |
|---------------------------------------|--------------------------------------|-----|--------|
| PART | DESCRIPTION | QTY | ITEM # |
| Y | 24" x 24" Drip Pan | 4 | 794720 |
| Z | #10 x 1" Lg. Self Tapping Screw | 10 | 756670 |
| AH | 3" x 3" x 1/4" FRP Angle 98-1/8" Lg. | 2 | N/A |

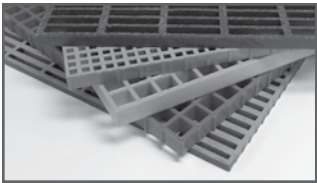
Pump Mounting Kit Assembly Instructions



NOTE:
FLOOR MOUNT - ONE BAY - WITHOUT BACK
SHOWN FOR REFERENCE

| PUMP MOUNT KIT ITEM #86500094 | | | |
|----------------------------------|----------------------------------|-----|--------|
| PART | DESCRIPTION | QTY | ITEM # |
| AI | 2" x 2" x 1/4" FRP Angle 12" Lg. | 2 | N/A |

Fibergrate Products & Services



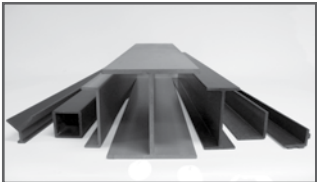
Fibergrate® Molded Grating

Fibergrate molded gratings are designed to provide the ultimate in reliable performance, even in the most demanding conditions. Fibergrate offers the widest selection in the market with multiple resins and more than twenty grating configurations available in many panel sizes and surfaces.



Safe-T-Span® Pultruded Industrial & Pedestrian Gratings

Combining corrosion resistance, long-life and low maintenance, Safe-T-Span® provides unidirectional strength for industrial and pedestrian pultruded grating applications.



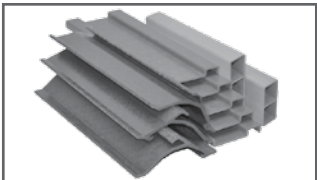
Dynaform® Structural Shapes

Fibergrate offers a wide range of standard Dynaform® pultruded structural profiles for industrial and commercial use, including I-beams, wide flange beams, round and square tubes, bars, rods, channels, leg angles and plate.



Dynarail® & DynaRound™ Guardrail, Handrail & Ladder

Easily assembled from durable components or engineered and prefabricated to your specifications, Dynarail square tube and DynaRound round tube railing systems and Dynarail safety ladder systems meet or exceed OSHA and strict building code requirements for safety and design.



Custom Composite Solutions

Combining Fibergrate's design, manufacturing and fabrication services allows Fibergrate to offer custom composite solutions to meet our client's specific requirements. Either through unique pultruded profiles or custom open molding, Fibergrate can help bring your vision to reality.



Design & Fabrication Services

Combining engineering expertise with an understanding of fiberglass applications, Fibergrate provides turnkey design and fabrication of fiberglass structures, including platforms, catwalks, stairways, railings and equipment support structures.



Worldwide Sales & Distribution Network

Whether a customer requires a platform in a mine in South Africa to grating on an oil rig in the North Sea, or walkways in a Wisconsin cheese plant to railings at a water treatment facility in Brazil; Fibergrate has sales and service locations throughout the world to meet the needs and exceed the expectations of any customer.

Fibergrate Composite Structures Inc. believes the information contained here to be true and accurate. Fibergrate makes no warranty, expressed or implied, based on this literature and assumes no responsibility for the consequential or incidental damages in the use of these products and systems described, including any warranty of merchantability or fitness. Information contained here can be for evaluation only. The marks and trade names appearing herein, whether registered or unregistered, are the property of Fibergrate Composite Structures Inc.

©Fibergrate Inc. 2017 Part No. 883311-02/17-0.5
Printed in the USA

