

SOUND WALL PROFILE

AREA = 6.013 IN²
 i_{xx} = 12.872 IN⁴
 S_{xx} = 7.355 IN³
 WT = 4.5 LB/FT

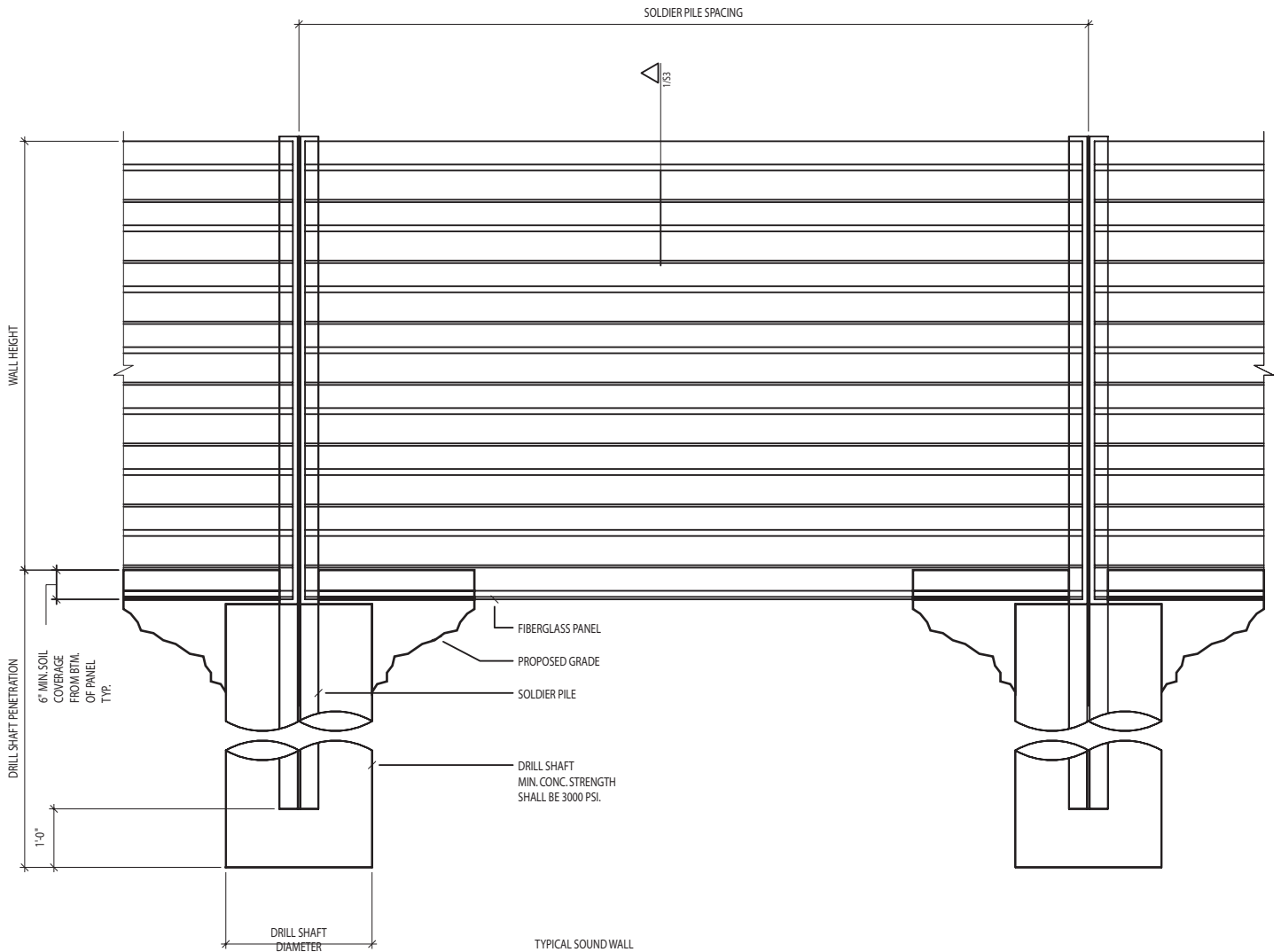
CONFIDENTIAL

Fibergrate.

Composite Structures

An RPM Company

REV	DESCRIPTION	DATE	BY	SOUND WALL PANEL		
0	FOR REVIEW/QUOTATION	08-22-05	EAL	SCALE	DATE	DRAWN:
0	CHANGED MANDREL RADII	10-18-05	EAL	N.T.S.	08-22-05	EAL
				DRAWING NUMBER		SHEET
				B-01307		1 OF 1



TYPICAL SOUND WALL
1 ELEVATION

NOTES:

1. Site specific designs must be performed by a registered professional engineer who verifies wind load requirements and actual soil conditions.
2. Wind loads are per Guide Specifications for Structural Design of Sound Barriers, Copyright 1989 and Interim Revisions.
3. Foundation design based on Brom's Method as described in Standard Specifications for Structural Supports for Highway Signs, Luminaires and Traffic Signals 4th Edition Copyright 2001 with Interim Revisions.
4. Structural steel member design per Standard Specifications for Highway Bridges - Seventeenth Edition.
5. Final deflections must be verified based on the criteria of the local governing body.

SOLDIER PILE DESIGN DRAWINGS FOR:

FIBERGRATE
 SOUND WALL

REVISIONS



DATE:
 09-08-06

SHEET #

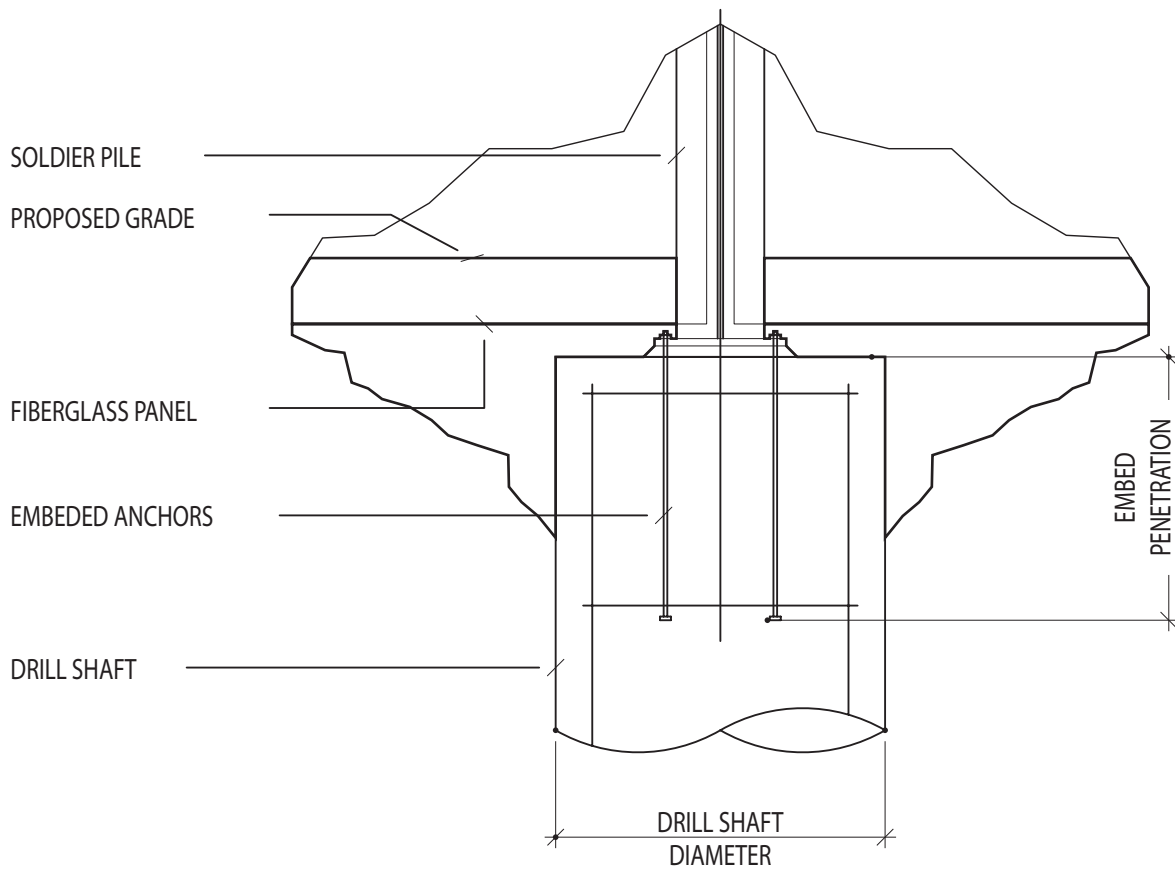
S1

FWNA PROJECT # 205622

FRANK W. NEAL & ASSOC. INC.
 Consulting Engineers

1015 W. Broadway,
 Fort Worth, Texas 76104
 (817) 332-1944
 Fax (817) 336-8620
 fwna-eng.com

* Registered Brand In Tarrant County



ALTERNATE SOLDIER PILE CONFIGURATION
1 ELEVATION

FRANK W. NEAL & ASSOC., INC.
 Consulting Engineers

1015 W. Broadway,
 Fort Worth, Texas 76104
 (817) 332-1944
 Fax (817) 336-8620
 fwna-eng.com

* Registered Brand In Tarrant County

SOLDIER PILE DESIGN DRAWINGS FOR:

**FIBERGRATE
 SOUND WALL**

REVISIONS

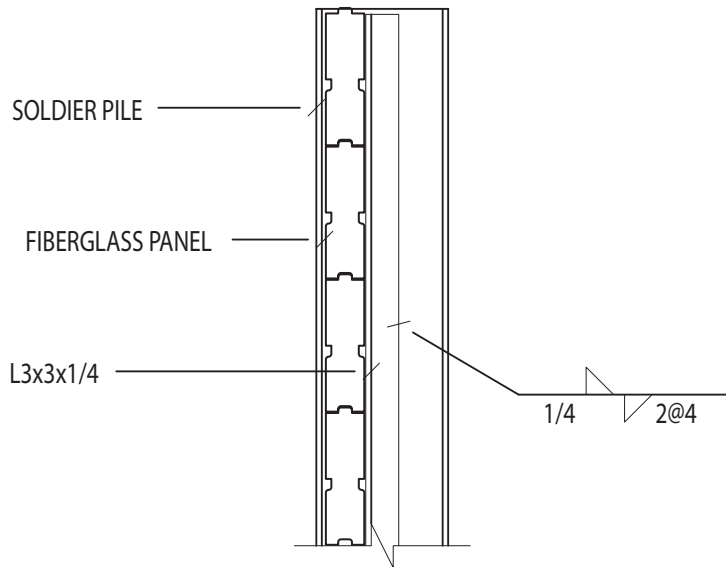


DATE:
 09-08-06

SHEET #

S2

FWNA PROJECT # 205622



TYPICAL SOUND WALL-WELDED ANGLE
1 SECTION

SOLDIER PILE DESIGN DRAWINGS FOR:

FIBERGRATE
 SOUND WALL

REVISIONS



DATE:
 09-08-06

SHEET #

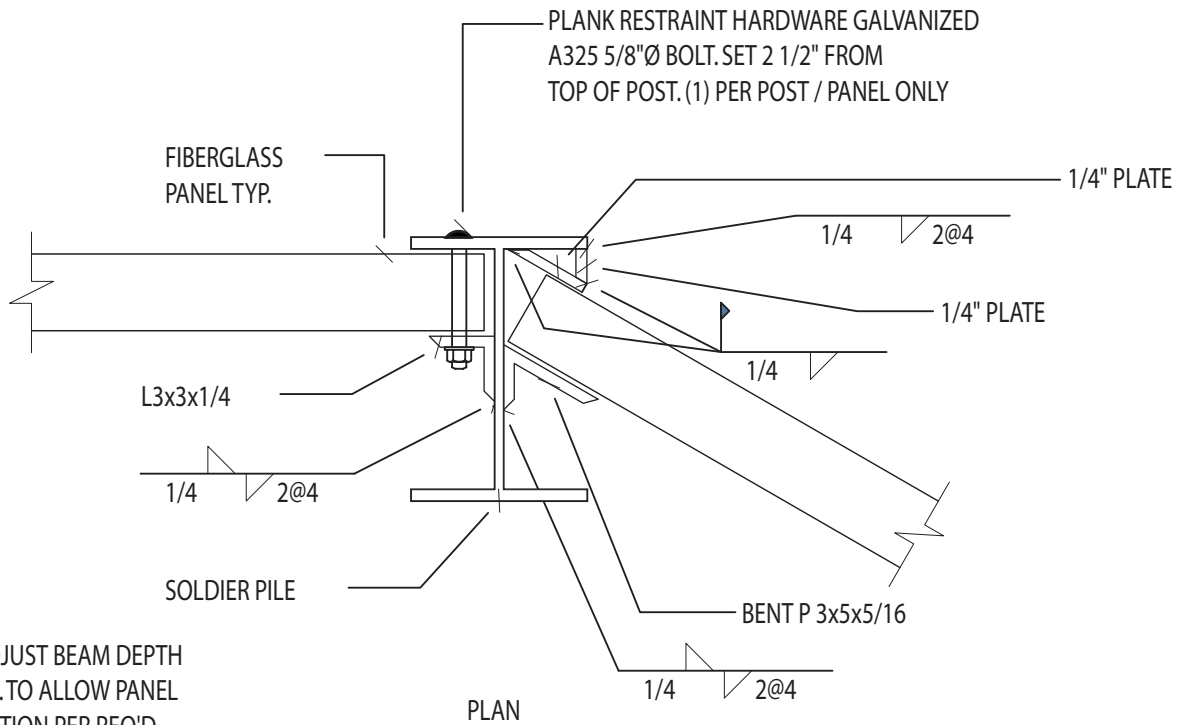
S3

FWNA PROJECT # 205622

FRANK W. NEAL & ASSOC, INC.
 Consulting Engineers

1015 W. Broadway,
 Fort Worth, Texas 76104
 (817) 332-1944
 Fax (817) 336-8620
 fwna-eng.com

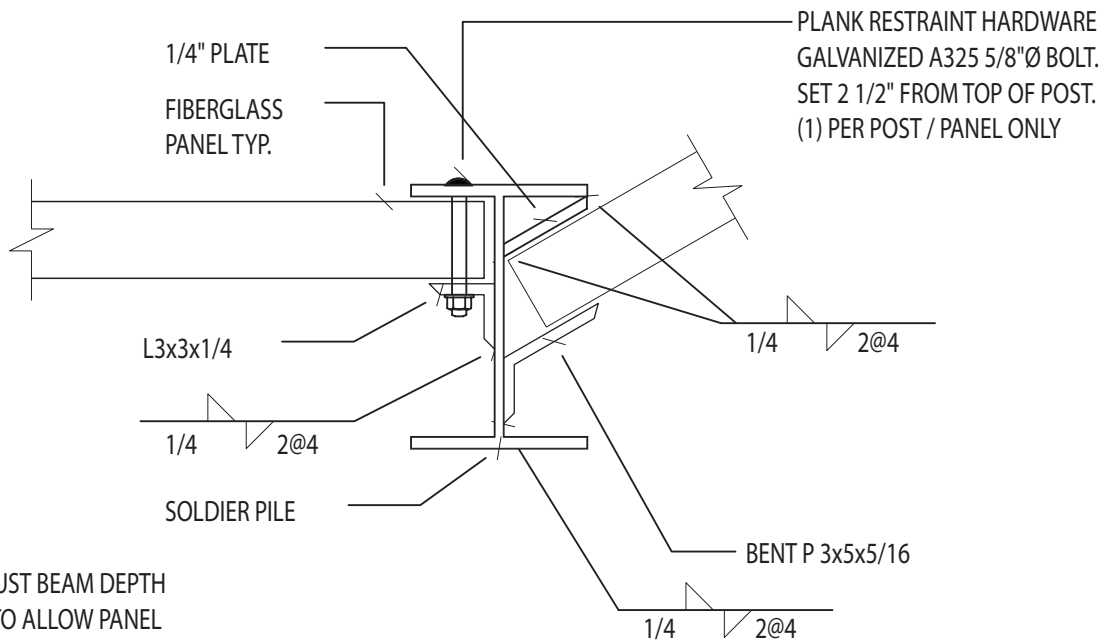
* Registered Brand In Tarrant County



NOTE: ADJUST BEAM DEPTH AS REQ'D. TO ALLOW PANEL INSTALLATION PER REQ'D. ANGLE DEVIATION.

PLAN
TYPICAL CORNER CONDITION

1 DETAIL



NOTE: ADJUST BEAM DEPTH AS REQ'D. TO ALLOW PANEL INSTALLATION PER REQ'D. ANGLE DEVIATION.

PLAN
TYPICAL CORNER CONDITION

2 DETAIL

SOLDIER PILE DESIGN DRAWINGS FOR:

FIBERGRATE
SOUND WALL

REVISIONS

DATE:
09-08-06



SHEET #



S4

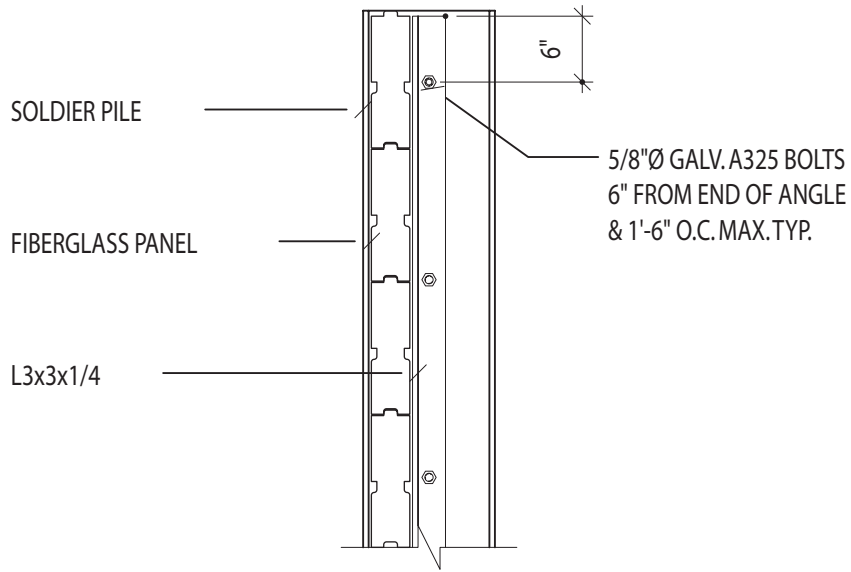


FWNA PROJECT # 205622

FRANK W. NEAL & ASSOC. INC.
Consulting Engineers

1015 W. Broadway
Fort Worth, Texas 76104
(817) 332-1944
Fax (817) 336-8620
fwna-eng.com

* Registered Brand in Tarrant County



TYPICAL SOUND WALL-BOLTED ANGLE
1 SECTION

SOLDIER PILE DESIGN DRAWINGS FOR:

FIBERGRATE
 SOUND WALL

REVISIONS



DATE:
 09-08-06

SHEET #

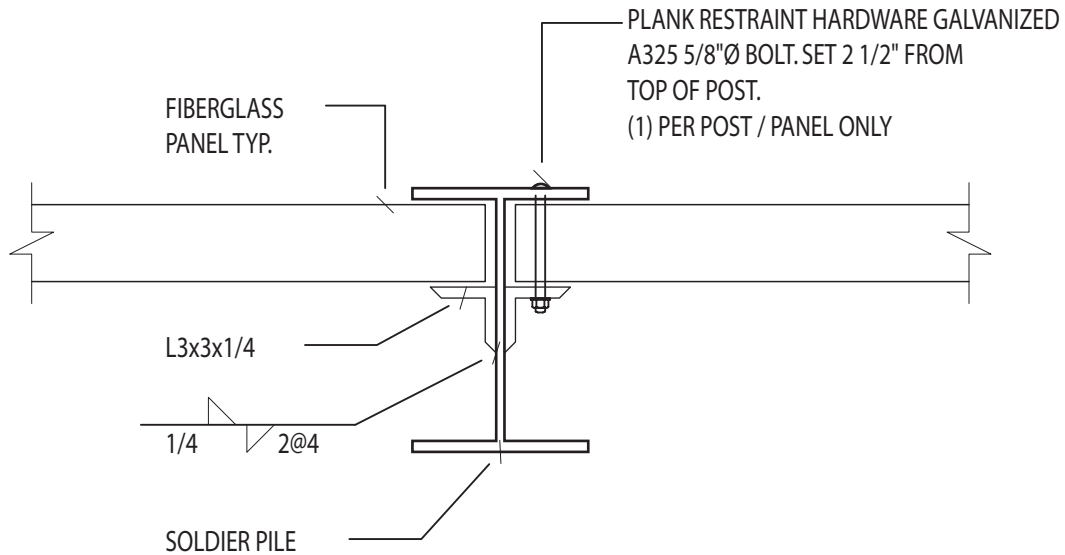
S5

FWNA PROJECT # 205622

FRANK W. NEAL & ASSOC., INC.
 Consulting Engineers

1015 W. Broadway,
 Fort Worth, Texas 76104
 (817) 332-1944
 Fax (817) 336-8620
 fwna-eng.com

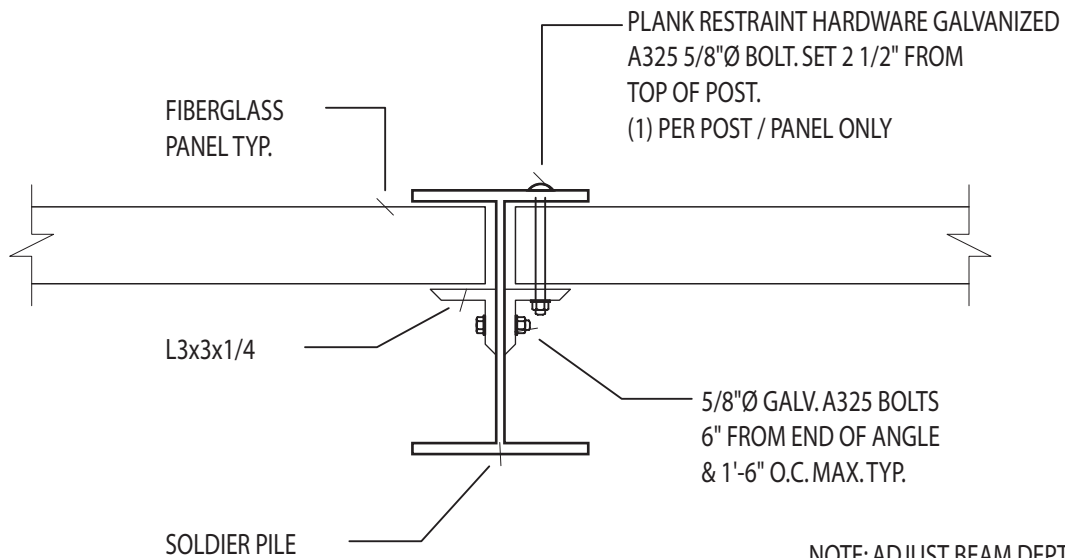
* Registered Brand In Tarrant County



NOTE: ADJUST BEAM DEPTH AS REQ'D. TO ALLOW PANEL INSTALLATION PER REQ'D. ANGLE DEVIATION.

PLAN
TYPICAL CONDITION- WELDED

1 DETAIL



NOTE: ADJUST BEAM DEPTH AS REQ'D. TO ALLOW PANEL INSTALLATION PER REQ'D. ANGLE DEVIATION.

PLAN
TYPICAL CONDITION- BOLTED

2 DETAIL

SOLDIER PILE DESIGN DRAWINGS FOR:

FIBERGRATE
SOUND WALL

REVISIONS



DATE:
09-08-06

SHEET #

S6

FWNA PROJECT # 205622

FRANK W. NEAL & ASSOC. INC.
Consulting Engineers

1015 W. Broadway,
Fort Worth, Texas 76104
(817) 332-1944
Fax (817) 336-8620
fwna-eng.com

* Registered Brand In Tarrant County